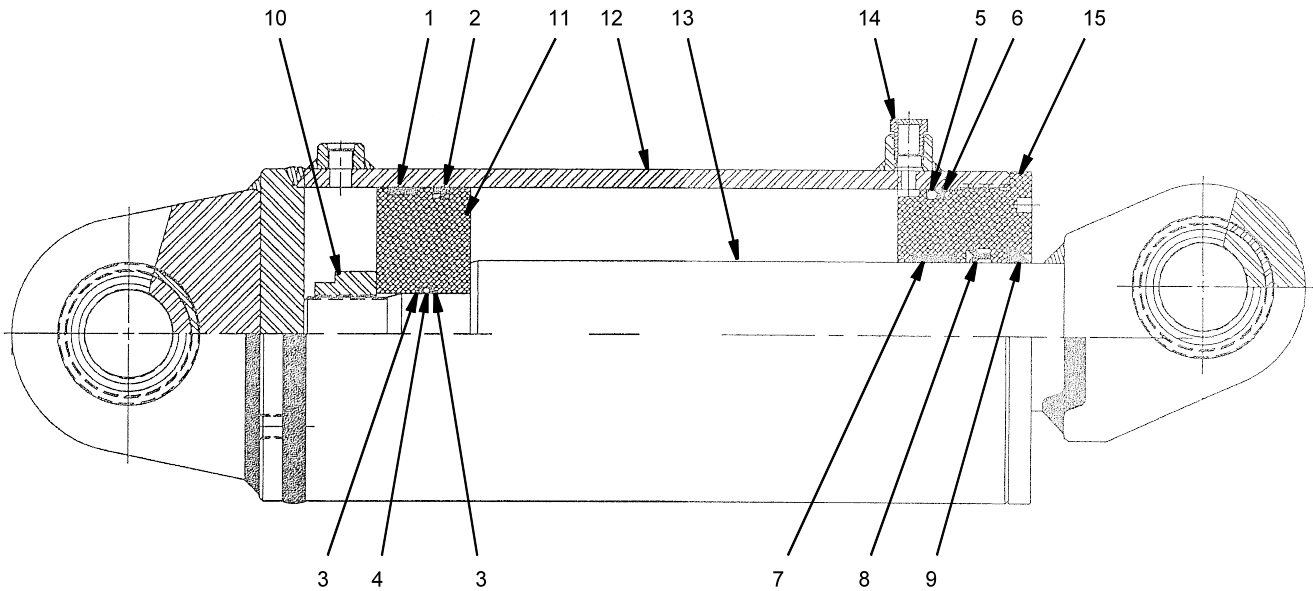


707 4952



REF	PART NO.	DESCRIPTION	QTY.
	707 4952	Cylinder, Axle Lock (Fisher Goldstar)...	2
	218917	Kit, Seal..... (Includes Items 10 Through15)	1
1	218920	Wear RIng	1
2	218921	PSP Seal.....	1
3	218922	Back-Up	2
4	218923	O-Ring.....	1
5	218924	O-Ring.....	1
6	218925	Back-Up	1
7	218926	Wear RIng	1
8	218927	U-Cup.....	1
9	218928	Rod Wiper	1
10	218929	Locknut.....	1
11	218930	Piston	1
12	218931	Barrel Assembly	1
13	218932	Rod Assembly	1
14	218933	Breather	1
15	218934	Internal Head.....	1

WHEN ORDERING PARTS, SPECIFY MODEL NUMBER, SERIAL NUMBER AND DESCRIPTION OF PART REQUIRED



AXLE LOCK-OUT CYLINDER

DATE: Revised 2-2005

MODEL: RT500-1

PAGE 2.9

GROUP

2